

FRIGA-BOHN

# KRS | KRS-W

Refrigeration cassette  
Commercial range



|||| 1.6 - 9.4 kW



- # **Quiet operation** ensured by anti-vibration mounts on the motor.
- # Adjustable airflow to ensure **occupant comfort**.
- # Access to all components **facilitating maintenance operations**.
- # **Easy cleaning** as a result of easy access to the washable filter, clipped on the diffuser.

## ROOM

- # Made from galvanized sheet steel with double insulation: inside by a polystyrene shell, and outside by a thick layer of closed-cell insulating foam.



## VENTILATION

- # 6-speed centrifugal motor fans with high static pressure and high airflow performance.
- # 3 speeds are factory pre-wired on each model. Three other intermediate speeds can be selected depending on the power and noise level requirements (see table on next page).
- # Single-phase motors, 230V, 50Hz, class B, with internal thermal protection.
- # The turbine blades, specially designed for this range, ensure high airflow rates while guaranteeing low noise levels.

## COILS

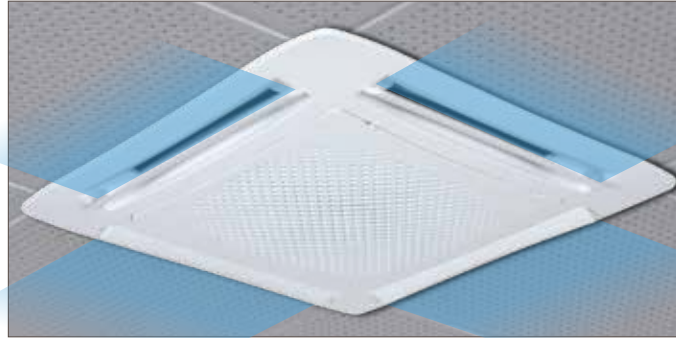
- # Aluminium fins crimped on copper tubes:

Aluminium fins	KRS	KRS-W
Spacing	2,81 mm	2,1 mm (KRS-W1) 1,81 mm (KRS-W2)
Epoxy protection	yes	no
Grooved copper tubes	yes	no



## DIFFUSER

- # Aesthetically pleasing, it adapts perfectly to all environments.
- # Made of smooth white ABS and lined on the inside with insulation to prevent condensation.
- # Manually adjustable damper system that provides air diffusion in four directions.



## CONDENSATE LIFT PUMP

- # Cassette delivered with a drain pan, a condensate lift pump and a float for starting the pump.
- # The maximum lift height is 650 mm from the pump level.

## INSTALLATION | MAINTENANCE

1.



2.



3.



4.



# KRS<sub>(A)</sub>-W<sub>(B)</sub> 1<sub>(C)</sub>

- (A) Silent refrigeration cassette
- (B) **KRS** = direct expansion **KRS-W** = glycol water
- (C) **KRS 1** = room 600 x 600 mm  
**KRS 2** = room 800 x 800 mm

The KRS | KRS-W is available with HFCs and glycol water. For more information, please consult our software.

## KRS | KRS-W

**4,23 mm**

CONDITIONS	REFRIGERANT				
Motor speeds*			<b>rpm.</b>		
<b>DTM = 10K</b> <b>tA1 = 8°C (1)</b>	<b>R449A</b>		<b>kW</b>		
<b>DTM = 12K</b> <b>tA1 = 12°C (1)</b>	<b>R449A</b>		<b>kW</b>		
Connections	inlet	<b>Ø OD</b>			
	outlet	<b>Ø OD</b>			

KRS 1					
V1	-	-	V2	-	V3
ST	NC	NC	ST	NC	ST
<b>400</b>	540	600	<b>700</b>	820	<b>1120</b>
<b>1,7</b>	2,2	2,3	<b>2,6</b>	3,0	<b>3,5</b>
<b>2,4</b>	2,8	3,1	<b>3,6</b>	3,9	<b>4,6</b>
<b>3/8"</b>	3/8"	3/8"	<b>3/8"</b>	3/8"	<b>3/8"</b>
<b>1/2"</b>	1/2"	1/2"	<b>1/2"</b>	1/2"	<b>1/2"</b>

KRS 2					
V1	-	V2	-	-	V3
ST	NC	ST	NC	NC	ST
<b>280</b>	360	<b>470</b>	560	670	<b>750</b>
<b>3,7</b>	4,4	<b>5,4</b>	6,0	6,5	<b>7,0</b>
<b>4,8</b>	5,7	<b>7,1</b>	7,9	8,8	<b>9,4</b>
<b>3/8"</b>	3/8"	<b>3/8"</b>	3/8"	3/8"	<b>3/8"</b>
<b>1/2"</b>	1/2"	<b>1/2"</b>	1/2"	1/2"	<b>1/2"</b>

CONDITIONS	REFRIGERANT				
Motor speeds*			<b>rpm.</b>		
<b>DTM = 10K</b> <b>tA1 = 12°C (2)</b>	<b>W</b>		<b>kW</b>		
Connections	inlet	<b>Ø OD</b>			
	outlet	<b>Ø OD</b>			

KRS-W 1					
V1	-	-	V2	-	V3
ST	NC	NC	ST	NC	ST
<b>400</b>	540	600	<b>700</b>	820	<b>1120</b>
<b>1,6</b>	1,9	2,1	<b>2,3</b>	2,5	<b>2,8</b>
<b>1/2"</b>	1/2"	1/2"	<b>1/2"</b>	1/2"	<b>1/2"</b>
<b>1/2"</b>	1/2"	1/2"	<b>1/2"</b>	1/2"	<b>1/2"</b>

KRS-W 2					
V1	-	V2	-	-	V3
ST	NC	ST	NC	NC	ST
<b>280</b>	360	<b>470</b>	560	670	<b>750</b>
<b>3,3</b>	3,9	<b>4,5</b>	4,8	5,1	<b>5,2</b>
<b>3/4"</b>	3/4"	<b>3/4"</b>	3/4"	3/4"	<b>3/4"</b>
<b>3/4"</b>	3/4"	<b>3/4"</b>	3/4"	3/4"	<b>3/4"</b>

Airflow		<b>m<sup>3</sup>/h</b>
Circuit tube vol.		<b>dm<sup>3</sup></b>
Acoustics	<b>Lp (3)</b>	<b>dB(A)</b>
	<b>Lw(A)</b>	<b>dB(A)</b>
Net weight	room + diffuser	<b>kg</b>

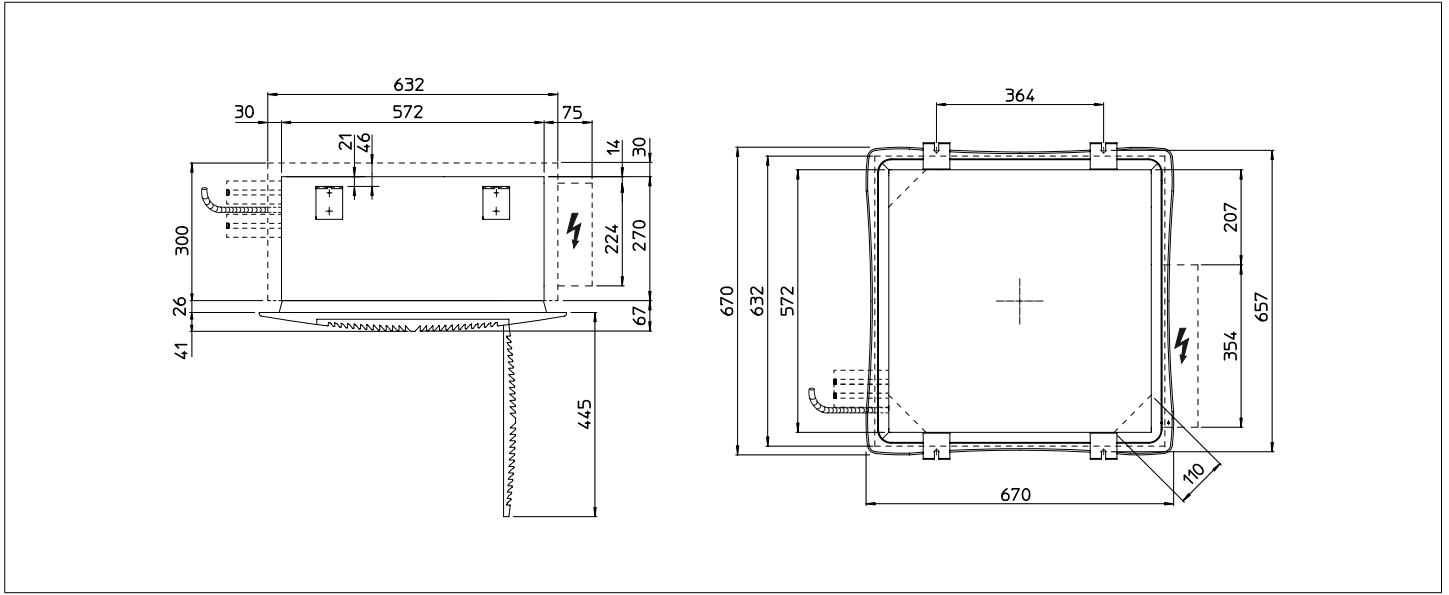
KRS 1   KRS-W 1					
<b>300</b>	410	450	<b>530</b>	620	<b>850</b>
<b>2</b>	2	2	<b>2</b>	2	<b>2</b>
<b>26</b>	33	35	<b>38</b>	42	<b>49</b>
<b>40</b>	47	49	<b>52</b>	56	<b>63</b>
<b>28</b>	28	28	<b>28</b>	28	<b>28</b>

KRS 2   KRS-W 2					
<b>700</b>	900	<b>1200</b>	1400	1680	<b>1880</b>
<b>4</b>	4	<b>4</b>	4	4	<b>4</b>
<b>25</b>	31	<b>37</b>	41	44	<b>47</b>
<b>39</b>	45	<b>51</b>	55	58	<b>61</b>
<b>46</b>	46	<b>46</b>	46	46	<b>46</b>

\* **ST**: Motor speeds pre-wired as standard  
**NC**: Intermediate motor speeds not wired (to choose a speed that is not wired, have the installer make the connection > see installation instructions).  
**KRS 1**: 1 fan 230V/1/50 Hz - 100 W max - 0.45 A max  
**KRS 2**: 1 fan 230V/1/50 Hz - 170 W max - 0.74 A max

(1) **DX - Q0m - HR = 85%** - Evaporating temperature must not be below -3 °C.  
(2) Glycol water regime (ethylene glycol 30%) = 0 / +4 °C.  
(3) Sound pressure in dB(A) measured at 2 m, hemispherical measuring surface, in a free field over a reflecting plane, given as an indication only.

KRS | KRS-W 1



KRS | KRS-W 2

