

FRIGA-BOHN

MEGA

Condensing unit



HFC



|||| MT 11 - 72 kW
|||| LT 3.3 - 22.5 kW



- # Easy access to components to **facilitate service** and **maintenance operations**.
- # **Versatility**; several versions are available to match your requirements:
 - **SH** (semi-hermetic) or **Sc** (scroll) compressor,
 - **ALN** (low noise level) condenser or **AS** (oversized condenser).

CASING

- # Rigid frame, made of heavy gage sheet metal, which limits the transmission of vibrations.

OPTION

CAC	Additional housing belt (Scroll).
GPC	Condenser protection grille.
CAR	Casing made from white pre-painted galvanized sheet metal.
ECC	Crate packing.

COMPRESSOR

- # Two technologies to choose from: semi-hermetic reciprocating or Scroll compressor.
- # In all cases, the following are supplied: delivery and suction valves, crankcase heater and oil indicator.

RECEIVER

- # The receiver is supplied with an outlet valve and a safety valve (receiver ≥ 11 l.).

OPTION

BAC	Liquid separator.
LIQ	Liquid line with filter dryer, hygroscopic indicator and service valve.
RLS	Oversized receiver.



ELECTRICAL BOX

Wiring secured in a junction box.

OPTION

ARM

Electrical cabinet with main disconnect switch (compressor and condenser protection).

CONDENSER

Option: standard or oversized condenser for ambient temperatures up to +43 °C.

1 to 4 fans.

REGULATION AND SAFETY

Semi-hermetic compressor models equipped with an oil differential pressure switch (except SH P100 - P170 - N85 - N105 with oil presence sensor).

LP control by adjustable pressure switch.

HP safety by 1 or 2 cartridge pressure switches with automatic reset. (according to standard EN 378-2: 2009).

OPTION

MAN

HP and LP pressure gages.

EVL

Solenoid valve (not fitted).

SHU

Oil separator.

RPC

Condensing pressure regulation.

VFA

Valve + filter on suction.

PRODUCT ADVANTAGES

Casing option (CAR) allowing the unit to be installed outside.

Large liquid receiver: distance between the unit and the unit coolers up to 25 meters.

Oversized condenser for applications under high ambient temperatures.

A wide range of options can be supplied pre-assembled in the factory to reduce installation time on site.

MEGA SH_(A) P_(B) 80_(C) A_(D)

(A) SH = Semi-hermetic compressor Sc = Scroll compressor
 (B) P = positive range N = negative range
 (C) Model
 (D) A = Standard AS = Oversized

The MEGA is available with HFCs.
 For more information, please
 consult our software.

MEGA | Standard

Positive range

MEGA ... A			SH P 80	SH P 85	SH P 100	Sc P 100	SH P 170	Sc P 170	SH P 200	SH P 250	SH P 300	SH P 350	SH P 400	SH P 500
Power (1)	R449A	kW	12,3	15,6	19,7	20,3	22,3	23,8	27,8	35,0	43,9	51,8	60,3	71,9
Power consumption	R449A	kW	6,2	8,1	9,4	11,4	10,4	13,4	14,0	18,2	23,1	26,7	32,1	37,5
Current drawn		A max.	15,9	19,8	23,5	25,3	26,9	31,0	35,7	44,7	57,9	67,8	79,6	99,7
Fan	1,500 rpm	mm	1x500	2x500	2x500	2x500	2x500	2x500	2x630	2x630	4x630	4x630	4x630	4x630
Airflow		m ³ /h	5315	11950	11270	11268	10630	10630	21300	21300	46400	46400	46400	42600
Liquid capacity		l.	11	11	15	15	24	24	30	30	40	40	40	40
Connections	Suction	∅	1"3/8	1"3/8	1"3/8	1"3/8	1"5/8	1"5/8	1"5/8	2"1/8	2"1/8	2"1/8	2"1/8	2"1/8
	Liquid	∅	5/8"	5/8"	5/8"	5/8"	7/8"	7/8"	7/8"	7/8"	7/8"	7/8"	1"1/8	1"1/8
Weight without CAR option		kg	264	313	337	272	362	277	418	470	558	597	600	623
Weight with CAR option		kg	339	398	422	357	447	362	538	590	718	757	760	783

MEGA | Oversized condenser

Positive range

MEGA ... AS			SH P 80	SH P 85	SH P 100	Sc P 100	SH P 170	SH P 200	SH P 250	SH P 300	SH P 350	SH P 400
Power (1)	R449A	kW	11,0	13,7	16,8	16,7	19,4	24,7 ⁽²⁾	32,3 ⁽²⁾	37,0	44,0	51,1
Power consumption	R449A	kW	7,0	8,5	9,9	13,4	12,9	18,0	22,2	24,5	28,3	33,8
Current drawn		A max.	16,9	19,8	23,5	25,3	31,6	42,5	51,5	57,9	67,8	79,6
Fan	1,500 rpm	mm	2x500	2x500	2x500	2x500	2x630	4x630	4x630	4x630	4x630	4x630
Airflow		m ³ /h	11950	11270	10630	10630	21300	46400	46400	42600	42600	42600
Liquid capacity		l.	11	11	15	15	24	40	40	40	40	40
Connections	Suction	∅	1"3/8	1"3/8	1"3/8	1"3/8	1"5/8	1"5/8	2"1/8	2"1/8	2"1/8	2"1/8
	Liquid	∅	5/8"	5/8"	5/8"	5/8"	7/8"	7/8"	7/8"	7/8"	7/8"	1"1/8
Weight without CAR option		kg	294	322	419	280	415	501	553	578	617	620
Weight with CAR option		kg	379	407	504	365	535	661	713	738	777	780

(1) A: Evaporating temperature -10 °C / Ambient temperature +32 °C - Superheat: 10K - Subcool: 3K.
 AS: Evaporating temperature -10 °C / Ambient temperature +42 °C - Superheat: 10K - Subcool: 3K.
 (2) Product only available in split system.

MEGA SH_(A) N_(B) 55_(C) A_(D)

(A) SH = Semi-hermetic compressor Sc = Scroll compressor
 (B) P = positive range N = negative range
 (C) Model
 (D) A = Standard AS = Oversized

The MEGA is available with HFCs.
 For more information, please
 consult our software.

MEGA ... A

Power (1)	R449A	kW
Power consumption	R449A	kW
Current drawn		A max.
Fan	1,500 rpm	mm
Airflow		m³/h
Liquid capacity		l.
Connections	Suction	Ø
	Liquid	Ø
Weight without CAR option		kg
Weight with CAR option		kg

MEGA | Standard

	SH N 55	SH N 85	SH N 105	Sc N 105	Sc N 155	SH N 155	SH N 205	SH N 255	SH N 305	SH N 405
	4,2	4,9	6,8⁽²⁾	7,1⁽²⁾	8,8⁽²⁾	9,9⁽²⁾	11,9	13,8	18,2	20,5
	3,9	4,2	6,0	7,1	9,0	8,5	10,0	11,7	16,0	19,4
	13,8	14,5	19,6	21,1	26,5	26,6	30,9	38,5	52,0	63,0
	1x500	1x500	2x500	2x500	2x500	2x500	2x500	2x500	2x630	2x630
	5635	5635	11950	11948	11268	11270	10630	10630	21300	21300
	11	11	15	15	15	15	24	24	30	30
	1"1/8	1"3/8	1"3/8	1"3/8	1"5/8	1"5/8	2"1/8	2"1/8	2"1/8	2"1/8
	1/2"	1/2"	5/8"	5/8"	5/8"	5/8"	7/8"	7/8"	7/8"	7/8"
	269	277	326	253	293	359	385	417	497	508
	332	340	400	327	367	433	459	491	727	738

Negative range

MEGA ... AS

Power (1)	R449A	kW
Power consumption	R449A	kW
Current drawn		A max.
Fan	1,500 rpm	mm
Airflow		m³/h
Liquid capacity		l.
Connections	Suction	Ø
	Liquid	Ø
Weight without CAR option		kg
Weight with CAR option		kg

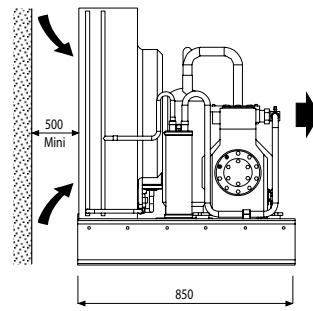
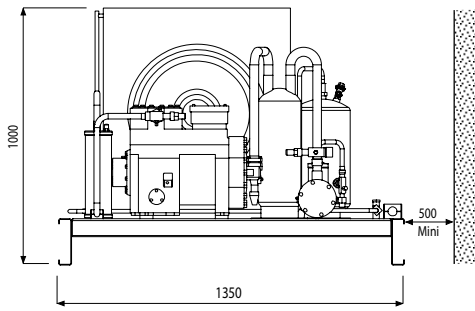
MEGA | Oversized condenser

	SH N 55	SH N 85	SH N 105	Sc N 105	Sc N 155	SH N 155	SH N 205	SH N 255	SH N 305	SH N 405
	3,3	3,4⁽²⁾	4,6	6,2⁽²⁾	7,5⁽²⁾	6,6	7,8	9,5⁽²⁾	11,8	14,7
	3,9	4,8	5,9	8,4	11,1	8,1	9,5	13,2	16,2	22
	13,8	15,5	19,6	21,1	26,5	26,6	30,9	43,2	52,0	69,8
	1x500	2x500	2x500	2x500	2x500	2x500	2x500	2x630	2x630	4x630
	5315	11950	11270	11270	10630	10630	10630	21300	21300	46400
	11	11	15	15	15	15	24	24	30	40
	1"1/8	1"3/8	1"3/8	1"3/8	1"5/8	1"5/8	2"1/8	2"1/8	2"1/8	2"1/8
	1/2"	1/2"	5/8"	5/8"	5/8"	5/8"	7/8"	7/8"	7/8"	7/8"
	273	311	355	272	303	367	385	489	497	591
	368	369	370	346	377	441	459	719	727	881

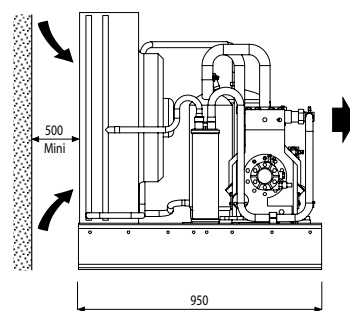
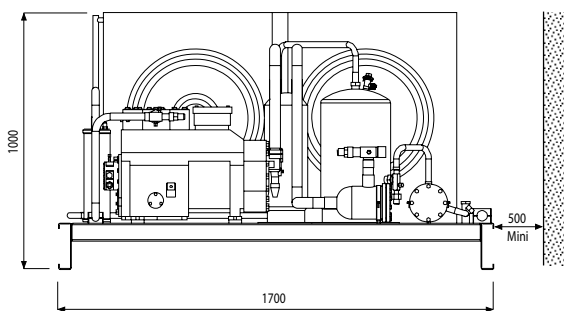
Negative range

(1) **A**: Evaporating temperature **-35 °C** / Ambient temperature **+32 °C** - Superheat: 10K - Subcool: 3K.
AS: Evaporating temperature **-35 °C** / Ambient temperature **+42 °C** - Superheat: 10K - Subcool: 3K.
 (2) Product only available in split system.

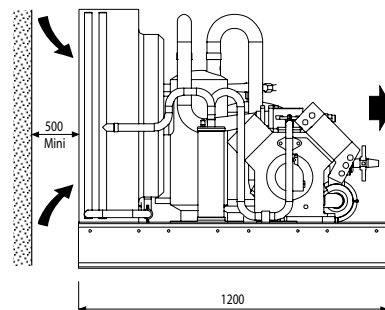
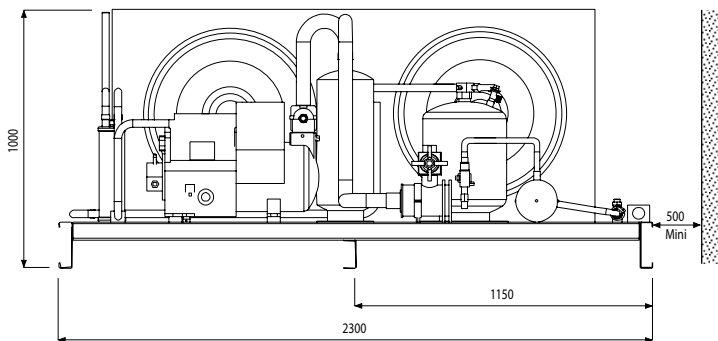
MEGA | 1 x Ø 500 mm



MEGA | 2 x Ø 500 mm



MEGA | 2 x Ø 630 mm



MEGA | 4 x Ø 630 mm

