

**FRIGA-BOHN**

# MAXI

Condensing unit



**HFC**



|||| MT 3 - 16.6 kW  
|||| LT 1.5 - 5.7 kW



- # **Easy installation:** complete electrical supply pre-wired in the factory.
- # **Easy maintenance:** accessibility to all components.
- # **Versatility:** several versions are available to meet your requirements, SH (semi-hermetic) or SC (scroll) compressor; ALN condenser (low noise level) or AS (oversized condenser).

## COMPRESSOR

- # Two technologies to choose from: semi-hermetic or Scroll compressor.
- # Multi-refrigerant compressor.

### OPTION

<b>CAC</b>	Additional housing belt (Scroll version).
<b>VFA</b>	Valve + filter on suction.

## CASING

- # Robust, made of white pre-painted sheet metal.



The MAXI condensing unit can be coupled to a unit cooler, according to your needs, to form a split system called the MAXIBOREAL

## UNIT COOLER

The MAXI condensing unit can, depending on the needs of your application, be coupled with a dual-discharge unit cooler (NTA) or a cubic unit cooler (3C-A).

- # Factory-assembled with expansion valve and solenoid valve.

**For more details on our unit coolers, please refer to the NTA and 3C-A documentation.**



## CONDENSER

- # 1 to 4 fans.
- # Variable speed of rotation.

### OPTION

**RPC**

Condensing pressure regulation.

**GPC**

Condenser protection grille.

## ELECTRICAL BOX

- # Fully integrated electrical cabinet.
- # General disconnecter switch.

### OPTION

**SPE**

Wiring on terminal block (without electric board).

## OTHER COMPONENTS

- # Receiver supplied with valve.
- # The liquid line consists as standard of a filter dryer, a liquid indicator and a service valve.
- # LP control by adjustable pressure switch.
- # HP safety by cartridge pressure switch with automatic reset.



The MAXIBOREAL split system consists of the MAXI condensing unit, a unit cooler and a control system.

Please contact us to choose the right combination of unit/cooler for the refrigerant and the application.

## REGULATION

- # Piloting by electronic regulation.
- # Air or electric defrost management.
- # Lighting management.
- # Display and referral of alarms.
- # Additional programmable contact (door opening, entrapment safety, etc.).
- # Integrated forced operation for rapid cooling or blast freezing.

# MAXI<sup>(A)</sup> SH<sup>(B)</sup> P<sup>(C)</sup> 32<sup>(D)</sup> A<sup>(E)</sup>

- (A) **MAXI** = Condensing unit    **MAXIBOREAL** = Split system
- (B) **SH** = Semi-hermetic compressor    **SC** = Scroll compressor
- (C) **P** = positive range    **N** = negative range
- (D) Model
- (E) **A** = Standard    **AS** = Oversized    **ALN** = Low noise level

The MAXI is available with HFCs.  
For more information, please consult our software.

## MAX | Standard

## Positive range

MAXI SH ...		
Power (1)	<b>R449A</b>	<b>kW</b>
Power consumption (1)	<b>R449A</b>	<b>kW</b>
Current drawn - 400V/3/50Hz		<b>A max</b>

P23A	P26A	P33A	P41A	P53A	P66A	P83A	-
<b>3,1</b>	<b>4,1</b>	<b>5,3</b>	<b>6,5</b>	<b>8,3</b>	<b>10,6</b>	<b>12,2<sup>(2)</sup></b>	-
<b>1,7</b>	<b>2,3</b>	<b>2,5</b>	<b>3,2</b>	<b>4,2</b>	<b>5,7</b>	<b>7,4</b>	-
5,15	7,00	7,80	10,20	13,20	15,20	19,86	-

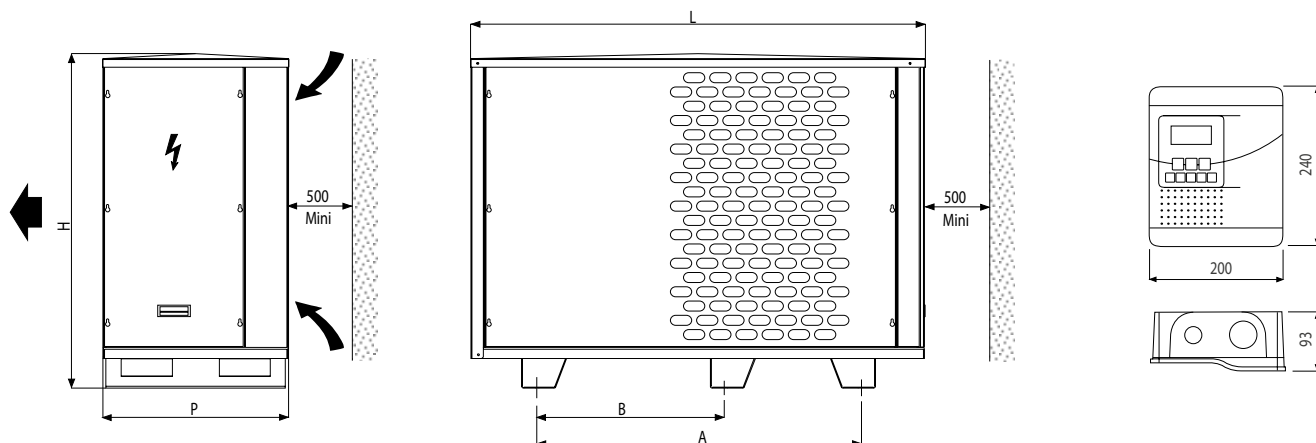
MAXI SC ...		
Power (1)	<b>R449A</b>	<b>kW</b>
Power consumption (1)	<b>R449A</b>	<b>kW</b>
Current drawn - 400V/3/50Hz		<b>A max</b>

P23A	P26A	P33A	P41A	P53A	P66A	P83A	P104A
<b>3,0</b>	<b>3,8</b>	<b>4,9</b>	<b>6,8</b>	<b>8,1</b>	<b>9,8</b>	<b>11,1<sup>(2)</sup></b>	<b>16,6</b>
<b>1,9</b>	<b>2,1</b>	<b>2,5</b>	<b>3,4</b>	<b>4,5</b>	<b>5,3</b>	<b>7,7</b>	<b>9,8</b>
6,45	6,20	7,90	11,40	13,40	14,00	18,00	26,00

MAXI ...		
Fan	Nb x Ø	<b>mm</b>
		<b>50 Hz</b>
Airflow		<b>m<sup>3</sup>/h</b>
Speed of rotation		<b>rpm</b>
Liquid capacity		<b>l.</b>
Dimensions	<b>L</b>	<b>mm</b>
	<b>D</b>	<b>mm</b>
	<b>H</b>	<b>mm</b>
	<b>A</b>	<b>mm</b>
	<b>B</b>	<b>mm</b>
Connections	Suction	<b>Ø</b>
	Liquid	<b>Ø</b>
Net weight		<b>kg</b>

P23A	P26A	P33A	P41A	P53A	P66A	P83A	P104A
1 x 355	1 x 355	2 x 355	2 x 355	2 x 355	2 x 500	2 x 500	2 x 500
230V/1	230V/1	230V/1	230V/1	230V/1	400V/3	400V/3	400V/3
1380	2200	2640	4200	4200	9600	11540	10314
1000	1500	1000	1500	1500	1000	1500	1500
3	3	5	5	5	11	11	11
1190	1190	1350	1350	1350	1450	1450	1450
475	475	550	550	550	600	600	600
810	810	1060	1060	1060	1470	1470	1470
805	805	955	955	955	1049	1049	1049
-	-	-	-	-	617	617	617
5/8"	7/8"	7/8"	7/8"	1 1/8"	1 1/8"	1 3/8"	1 3/8"
3/8"	3/8"	1/2"	1/2"	1/2"	1/2"	5/8"	5/8"
140	140	160	175	175	220	230	230

(1) **A**: Evaporating temperature **-10 °C** / Ambient temperature **+32 °C** - Superheat: 10K - Subcool: 3K.  
 (2) Product only available in split system.



# MAXI<sup>(A)</sup> SH<sup>(B)</sup> P<sup>(C)</sup> 32<sup>(D)</sup> A<sup>(E)</sup>

- (A) **MAXI** = Condensing unit    **MAXIBOREAL** = Split system
- (B) **SH** = Semi-hermetic compressor    **SC** = Scroll compressor
- (C) **P** = positive range    **N** = negative range
- (D) Model
- (E) **A** = Standard    **AS** = Oversized    **ALN** = Low noise level

The MAXI is available with HFCs.  
For more information, please consult our software.

MAXI SH ...		
Power (1)	<b>R449A</b>	<b>kW</b>
Power consumption (1)	<b>R449A</b>	<b>kW</b>
Current drawn		<b>A max</b>

MAXI SC ...		
Power (1)	<b>R449A</b>	<b>kW</b>
Power consumption (1)	<b>R449A</b>	<b>kW</b>
Current drawn - 400V/3/50Hz		<b>A max</b>

MAXI ...		
Fan	Nb x Ø	<b>mm</b>
		<b>50 Hz</b>
Airflow		<b>m<sup>3</sup>/h</b>
Speed of rotation		<b>rpm</b>
Liquid capacity		<b>l.</b>
Dimensions	<b>L</b>	<b>mm</b>
	<b>D</b>	<b>mm</b>
	<b>H</b>	<b>mm</b>
	<b>A</b>	<b>mm</b>
	<b>B</b>	<b>mm</b>
Connections	Suction	<b>Ø</b>
	Liquid	<b>Ø</b>
Net weight		<b>kg</b>

## MAX | Standard

N24A	N34A	N42A	N73A	-
<b>1,5</b>	<b>2,2<sup>(2)</sup></b>	<b>2,7</b>	<b>4,1</b>	-
<b>1,4</b>	<b>2,0</b>	<b>2,3</b>	<b>3,7</b>	-
7,35	10,40	11,60	18,30	-

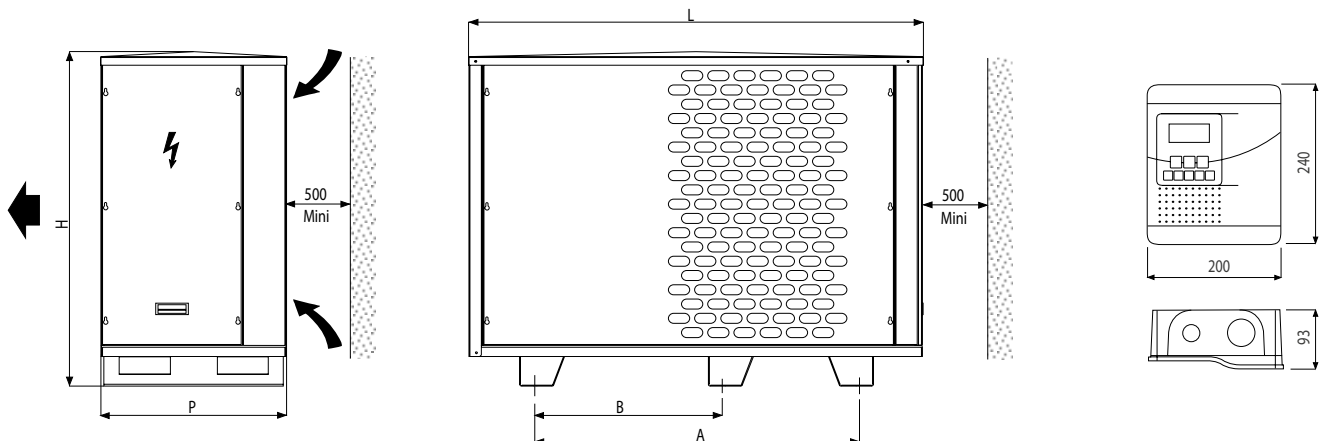
## Negative range

-	N34A	N42A	N73A	N84A
-	<b>1,7<sup>(2)</sup></b>	<b>2,9<sup>(2)</sup></b>	<b>4,3</b>	<b>5,7<sup>(2)</sup></b>
-	<b>2,0</b>	<b>3,4</b>	<b>4,4</b>	<b>6,3</b>
-	8,20	11,90	19,40	25,00

N24A	N34A	N42A	N73A	N84A
1 x 355	1 x 355	2 x 355	2 x 355	2 x 500
230V/1	230V/1	230V/1	230V/1	400V/3
1380	2200	2640	4200	9600
1000	1500	1000	1500	1000
5	5	5	5	5
1190	1190	1350	1350	1450
475	475	550	550	600
810	810	1060	1060	1470
805	805	955	955	1049
-	-	-	-	617
7/8"	7/8"	1 1/8"	1 1/8"	1 3/8"
3/8"	3/8"	3/8"	1/2"	1/2"
140	140	175	175	230

(1) **A**: Evaporating temperature **-35 °C** / Ambient temperature **+32 °C** - Superheat: 10K - Subcool: 3K.

(2) Product only available in split system.



# NOTES

---

---

---

---

---

---

---

---

---

---

---

---

---

---

---

---

---

---

---

---

---

---

---

---

---

---

---

---

---

---

---

