

# XR

Ceiling or wall-mounted unit cooler  
Commercial range



HFC



|||| 370 - 1050 W



- # **Compact design** and **ceiling or wall mounting possible** for perfect integration in small spaces and optimization of the storage area.
- # "Keyhole" fixing and drilling template printed on the cardboard packaging to **save installation time**.
- # Access to all components from the front for **easy maintenance**.

## COILS

- # Aluminium fins with 4.23 mm spacing and sinusoidal profile.
- # Combined with copper tubes with a grooved internal structure, the coils are very efficient and compact.
- # Coils completely covered with polyester protection as standard.



Ceiling mounting

## CASING

- # Galvanized sheet steel and plastic drain pan, white colour.
- # Intermediate drain pan for ceiling mounting, limiting water condensation.



Wall mounting

## VENTILATION

- # Single-phase motor fans, 230 V, 50-60 Hz, Ø 200 mm, protected by an enclosed casing, delivered with cable 3 x 0.75 mm<sup>2</sup> length 1 m:
  - 4P / 1,500 rpm (low noise level).
  - 2P / 3,000 rpm, motor with built-in thermal protection (high performance).

## ADVANTAGES

- # "Keyhole" fixing requiring only one operator.
- # Drilling template printed on the cardboard packaging.
- # 8 pre-cut holes for the tubes and cables.
- # Factory delivered for ceiling mounting, simple conversion for wall mounting.
- # 4 possible drain tube positions with ceiling mounting (2 with wall mounting) to offer the user the maximum available volume.
- # Access to all components from the front.

## DEFROST

	+10	+2	-5	-25°C
tA1	XR ...	+E1K	+ E1K (1)	

### OPTION

#### E1K

Electric defrost.

**KIT TO INSTALL**

(1) **ATTENTION** use SC3 for ceiling mounting only: E1K kit must be mounted.

# XR<sup>(A)</sup> 60<sup>(B)</sup>

(A) Ceiling or wall-mounted unit cooler  
(B) Model

The XR is available with HFCs.  
For more information,  
please consult our software.

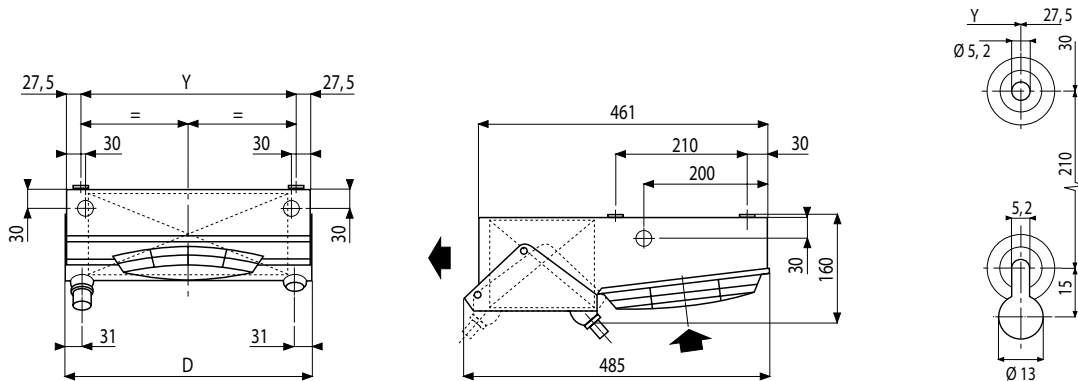
## XR

4.23 mm

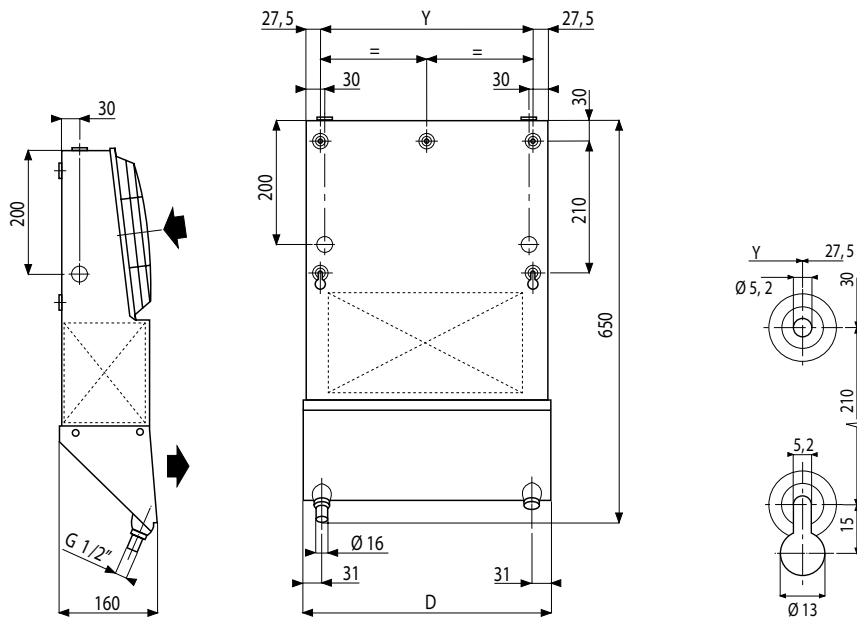
CONDITIONS	REFRIGERANTS	XR ...	60	72	80	85	90	100	105	122
SC2	R449A	W	470	600	660	680	770	820	900	1050
SC3	R449A	W	370	490	560	570	650	670	730	870
Surface area		m <sup>2</sup>	1,5	2,0	2,5	2,0	3,0	2,5	3,0	3,8
Circuit volume		dm <sup>3</sup>	0,3	0,3	0,4	0,3	0,5	0,4	0,5	0,7
Airflow		m <sup>3</sup> /h	270	250	230	440	360	410	500	480
	Air throw (2)	m	2,5	2,0	2,0	3,0	2,0	3,0	2,5	2,5
Fan 230V/1/50-60 Hz Ø 200 mm		Nb	1	1	1	1	1	1	1	1
		tr/min	1500	1500	1500	3000	1500	3000	3000	3000
230V/1/50Hz		W total	43	43	43	80	43	80	80	80
		A total	0,25	0,25	0,25	0,50	0,25	0,50	0,50	0,50
Electric defrost EIK (3)	230V/1/50Hz	Nb	1	1	1	1	1	1	1	1
		W total	400	400	400	400	600	400	600	600
Connections	Inlet (4)	Ø ODF	3/8"	3/8"	3/8"	3/8"	3/8"	3/8"	3/8"	3/8"
			10mm	10mm	10mm	10mm	10mm	10mm	10mm	10mm
Connections	Outlet (4)	Ø ODF	3/8"	3/8"	3/8"	3/8"	3/8"	3/8"	3/8"	3/8"
			10mm	10mm	10mm	10mm	10mm	10mm	10mm	10mm
Net weight		kg	7	8	8	8	10	8	10	10

(1) Standard conditions:  
SC2 / 0 °C (air inlet temp.) / -8 °C (evaporating temp.) / DT1 = 8K  
SC3 / -18 °C (air inlet temp.) / -25 °C (evaporating temp.) / DT1 = 7K  
(2) When the section allows air circulation (see CECOMAF GT 6001, DIN8955, ENV328).  
(3) ATTENTION use SC3 for ceiling mounting only: EIK kit must be mounted.  
(4) ODF: female to receive the tube of the same diameter.

XR | Ceiling mounting



XR | Wall mounting



XR

XR ...

 4.23 mm

		60	72	80	85	90	100	105	122
<b>D</b>	<b>mm</b>	399	399	399	399	560	399	560	560
<b>Y</b>	<b>mm</b>	330	330	330	330	485	330	485	485